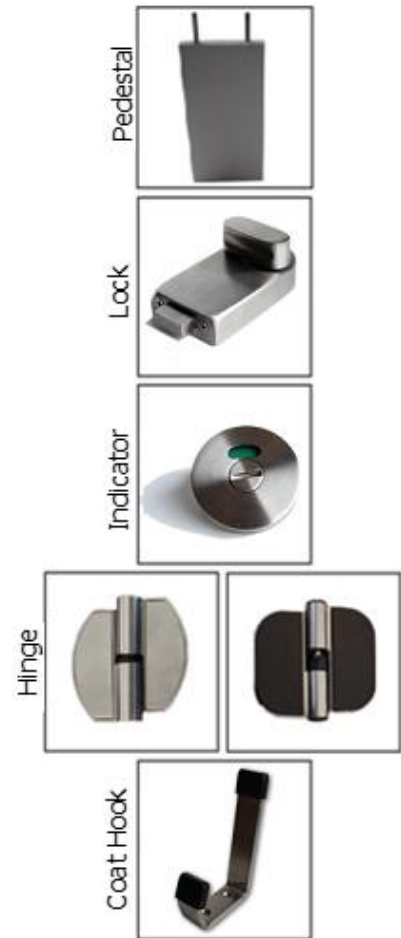


K-PROFORM

The K-Proform system is another high end design amongst KerMac's cubicle systems. It is finished in Post-formed high pressure laminate with 12mm radius edging made from 30mm MR Board front panels. Dividers are made from 18mm bonded board giving this design a sleek, smooth look. Aluminium blade pedestals provide stability to ensure you have a long lasting product which looks superb. KerMac hardware and fastenings finish off this total package with stainless locks, cast rise and fall hinges and stainless steel boxed blade pedestals.



LAMINATE TO CHOOSE FROM:

HIGH PRESSURE LAMINATES (18/30MM)

Laminex
Laminex Structural Board
Formica

LOW PRESSURE LAMINATES (18/30MM)

Melteca
Melamine

APPLICATIONS

Low moisture/dry area
High end offices
Commercial
Banks
Museums

FEATURES

Stainless steel Boxed Blade pedestal
Anodised Aluminium channels
Stainless Steel locks, coat hooks and fastenings
Rise and fall hinges
Head Rail



STANDARD MATERIALS

18mm/30mm thick MDF laminated board
Non-standard facing panels made to order
Edge-banded laminated board/Postformed edges

Optional Accessories:

Toilet roll holders
Grab Rails
Pull Handles
Shower seats and brackets
Paper towel dispensers
Waste receptacles
Powder coated aluminium trim

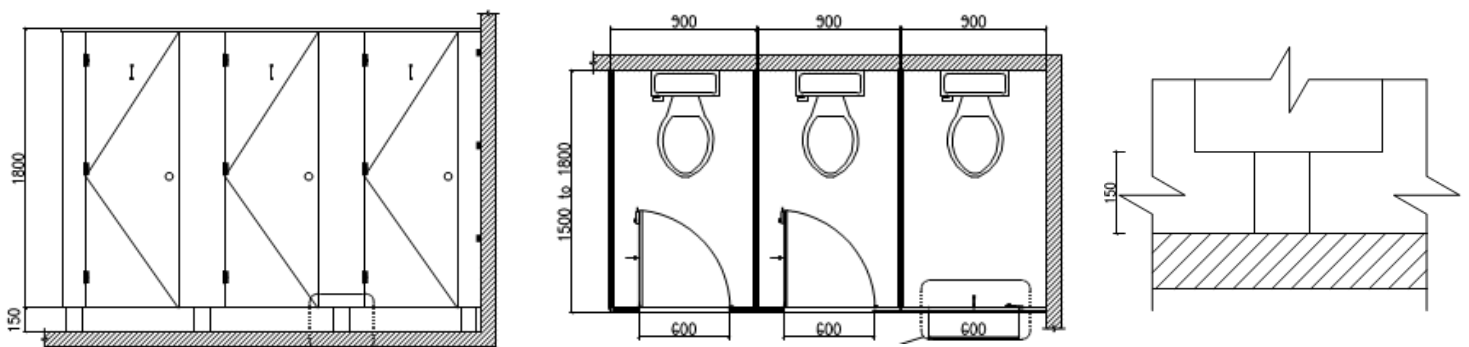
DIMENSIONS AND INSTALLATION

Width and depth vary to suit application
Doors: Standard 600mm (560mm opening)
 Accessible 800mm (760mm minimum opening),
 Sliding doors on request
Standard panel height is 1800mm on 150 – 200mm pedestals

KerMac includes installation within the Auckland region.
Alternatively, cubicles can be flat packed and shipped anywhere in
the Australasian and Pacific region with installation instructions
included.



CAD DRAWINGS



Larger CAD Drawings available on www.kermac.co.nz in PDF, DWG and DXF formats