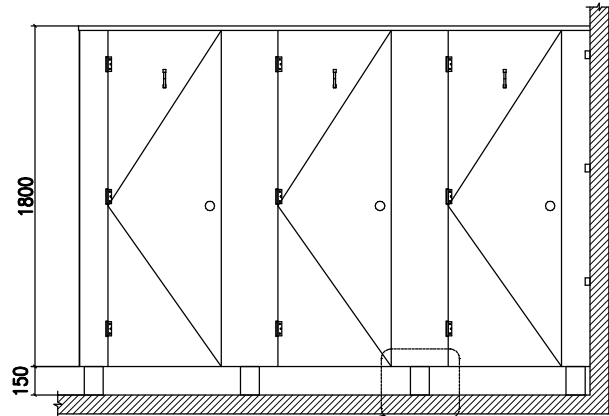
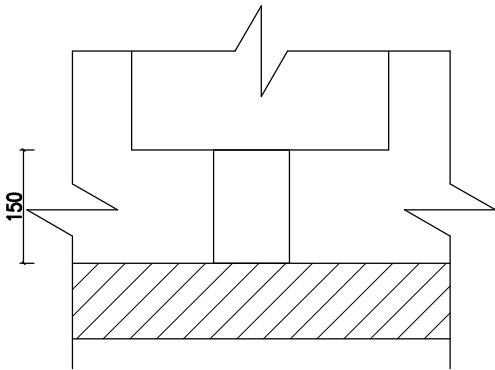


Kermac Industries

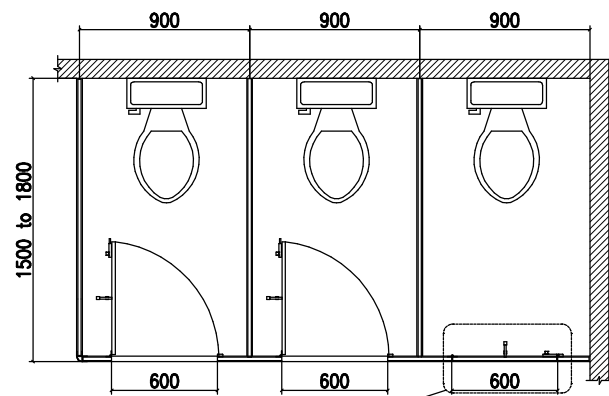
K Proform



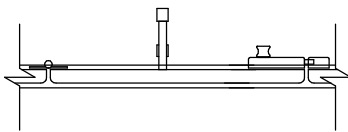
FRONT ELEVATION



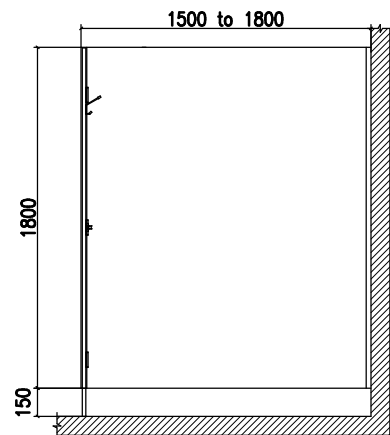
PEDESTAL DETAIL



PLAN



DOOR DETAIL



CROSS-SECTION