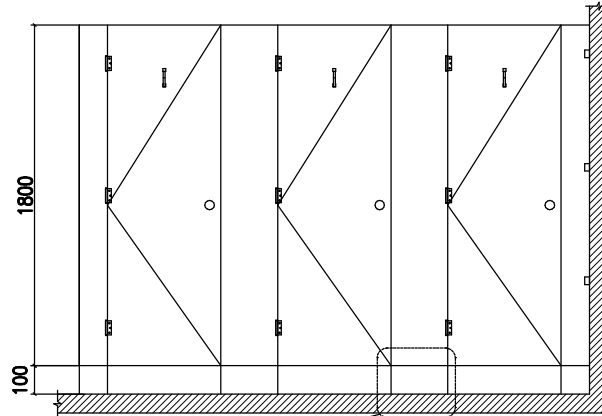
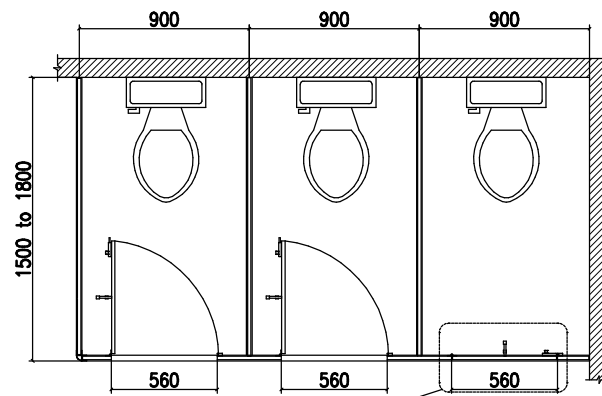


Kermac Industries

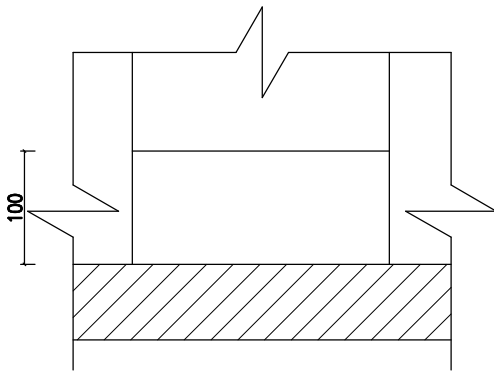
K Freestanding



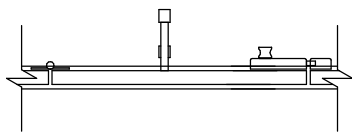
FRONT ELEVATION



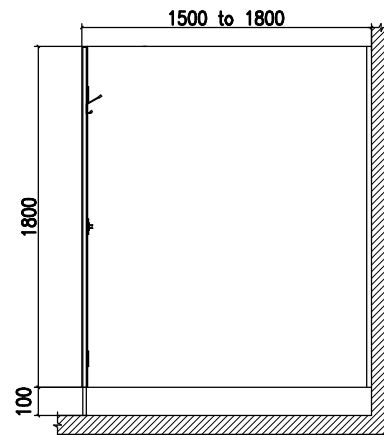
PLAN



PEDESTAL DETAIL



DOOR DETAIL



CROSS-SECTION