

K-STANDARD

The K-Standard system is a design regularly used by the commercial industry and is the industry standard. It is typically made with moisture resistant board that has been laminated to either a high or low pressure laminate and finished with aluminium clashed edgings, a powder coated aluminium pedestal and our stainless steel locks, coat hooks and fasteners.



LAMINATE TO CHOOSE FROM:

HIGH PRESSURE LAMINATES

Laminex
Laminex Structural Board
Formica

LOW PRESSURE LAMINATES

Melteca
Melamine

APPLICATIONS

Education Sector
Commercial Offices
Dry, low humidity areas
High Moisture areas (Marine ply core)

FEATURES

Aluminium or Stainless Steel Pedestals
Anodised Aluminium channels
Stainless Steel locks, coat hooks and fastenings
Head Rail



STANDARD MATERIALS

18mm thick MDF laminated board
OR
18mm Structural Board
Non-standard facing panels made to order
For high humidity areas Marine Plywood available
Natural stain anodised aluminium edge trim

Optional Accessories:

Toilet roll holders
Grab Rails
Pull Handles
Shower seats and brackets
Paper towel dispensers
Waste receptacles
Powder coated aluminium trim



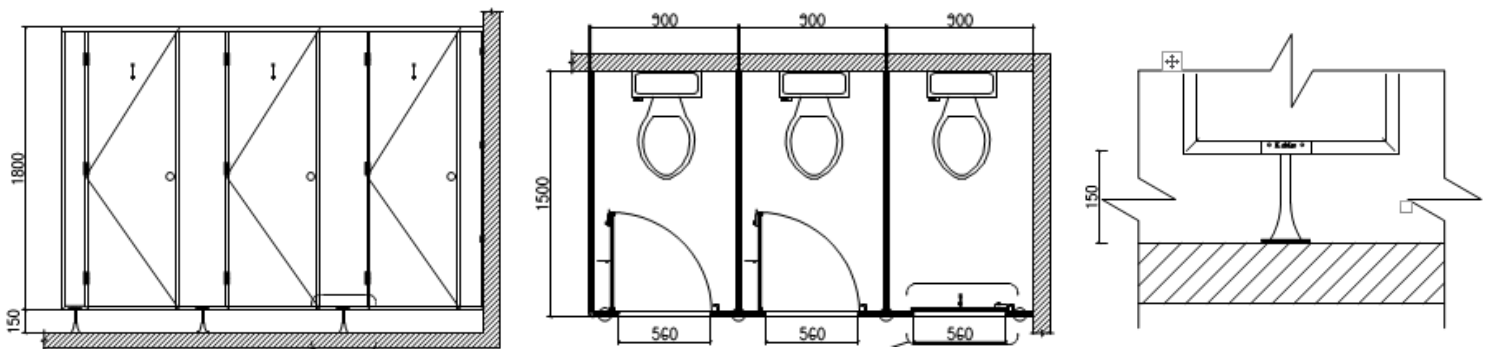
DIMENSIONS AND INSTALLATION

Width and depth vary to suit application
Doors: Standard 600mm (560mm opening)
Accessible 800mm (760mm minimum opening),
Sliding doors on request
Standard panel height is 1800mm on 150mm pedestals

KerMac includes installation within the Auckland region.
Alternatively, cubicles can be flat packed and shipped anywhere
in Australasia and Pacific region with installation instructions
included.



CAD DRAWINGS



Larger CAD Drawings available on www.kermac.co.nz in PDF, DWG and DXF formats