

## K-PRIMO

The K-Primo system is constructed from compact laminate or Swiss CDF Board which are strong, robust and moisture resistant materials. While this system is strong, material choices can be changed according to budget. KerMac gives two pedestal options in this flexible design, which are dual stainless steel pedestals or cast aluminium pedestals. The head rail is a feature of this system, being designed to provide maximum strength with its cylindrical design. K-Primo is an excellent choice for wet area applications such as Shopping Centres, Gyms, Stadiums and Airports.



### LAMINATE TO CHOOSE FROM:

#### COMPACT LAMINATES

- KerMac Compact
- Laminex Compact

### APPLICATIONS

- General Purpose
- Wet or Dry Areas
- High Humidity
- Shower Application

### FEATURES

- Dual Stainless steel pedestals or Cast aluminium pedestals
- Stainless Steel locks, coat hooks and fastenings
- Custom anodised aluminium channels
- Rise and fall hinges
- Head rail
- Hair to aluminium edging on doors



## STANDARD MATERIALS

13mm thick Compact laminate board  
Non-standard facing panels made to order  
Natural stain anodised aluminium edge trim

### **Optional Accessories:**

Toilet roll holders  
Grab Rails  
Pull Handles  
Shower seats and brackets  
Paper towel dispensers  
Waste receptacles  
Powder coated aluminium trim



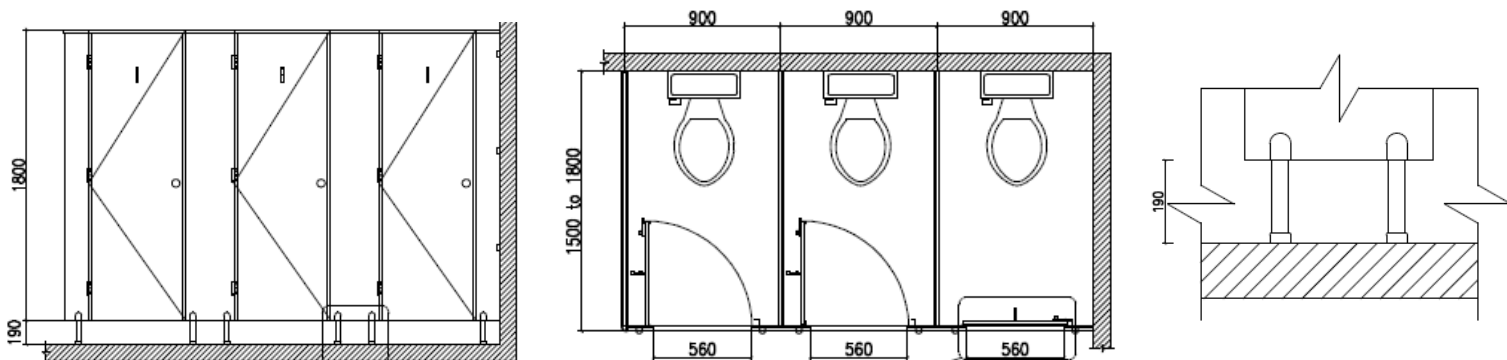
## DIMENSIONS AND INSTALLATION

Width and depth vary to suit application  
Doors: Standard 600mm (560mm opening)  
    Accessible 800mm (760mm minimum opening),  
    Sliding doors on request  
Standard panel height is 1800mm on 200mm pedestals

KerMac includes installation within the Auckland region.  
Alternatively, cubicles can be flat packed and shipped anywhere  
in the Australasian and Pacific region with installation  
instructions included.



## CAD DRAWING



Larger CAD Drawings available on [www.kermac.co.nz](http://www.kermac.co.nz) in PDF, DWG and DXF formats