

K-CLASHED

The K-Clashed system features edge-banded laminated board and dual pedestals for extra strength and stability. It is best suited for dry, low moisture applications such as schools or offices or where extra stability is important. It is available in a wide range of low and high pressure laminates with all stainless steel and aluminium hardware included.



LAMINATE TO CHOOSE FROM:

HIGH PRESSURE LAMINATES

Laminex
Laminex Structural Board
Formica

LOW PRESSURE LAMINATES

Melteca
Melamine

APPLICATIONS

Education Sector
Commercial Offices
Dry, low humidity areas

FEATURES

Aluminium or Stainless Steel Pedestals
Anodised Aluminium channels
Stainless Steel locks, coat hooks and fastenings



STANDARD MATERIALS

18mm thick MDF laminated board
 OR
 18mm Structural Board
 Non-standard facing panels made to order
 For high humidity areas Marine plywood available
 Natural stain anodised aluminium edge trim

Optional Accessories:

Toilet roll holders
 Grab Rails
 Pull Handles
 Shower seats and brackets
 Paper towel dispensers
 Waste receptacles
 Powder coated aluminium trim

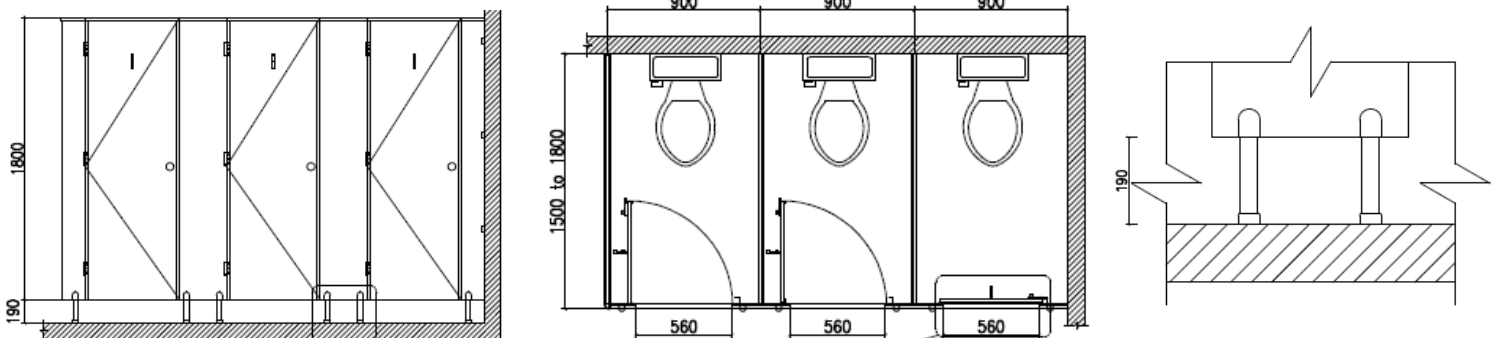
DIMENSIONS AND INSTALLATION

Width and depth vary to suit application
 Doors: Standard 600mm (560mm opening)
 Accessible 800mm (760mm minimum opening),
 Sliding doors on request
 Standard panel height is 1800mm on 150mm pedestals

KerMac includes installation within the Auckland region.
 Alternatively, cubicles can be flat packed and shipped
 anywhere in the Australasian and Pacific region with
 installation instructions included.



CAD DRAWINGS



Larger CAD Drawings available on www.kermac.co.nz in PDF, DWG and DXF formats