

K-TOPHUNG

The defining feature of the K-Tophung system is the bold overhead support beam which allows suspension of the cubicles without pedestals on the front panels. Removal of pedestals from the front panels provides a modern suspended design to enhance any bathroom's aesthetic. The system is available in our full range of panels including 13mm KerMac compact laminate and 18mm Melteca LPL/HPL.



LAMINATE TO CHOOSE FROM:

HIGH PRESSURE LAMINATES

Laminex
Laminex Structural Board
Formica

LOW PRESSURE LAMINATES

Melteca
Melamine

COMPACT LAMINATES

KerMac Compact
Laminex Compact

APPLICATIONS

Low moisture/dry areas
High humidity (Compact only)
High end offices
Commercial

FEATURES

Support Beam
Anodised Aluminium channels
Stainless Steel locks, coat hooks and fastenings
Rise and fall hinges



STANDARD MATERIALS

18mm/30mm thick MDF laminated board
13mm Compact laminate
Non-standard facing panels made to order
For high humidity areas Compact available
Edge-banded laminated board

Optional Accessories:

Toilet roll holders
Grab Rails
Pull Handles
Shower seats and brackets
Paper towel dispenser
Waste receptacles
Powder coated aluminium trim

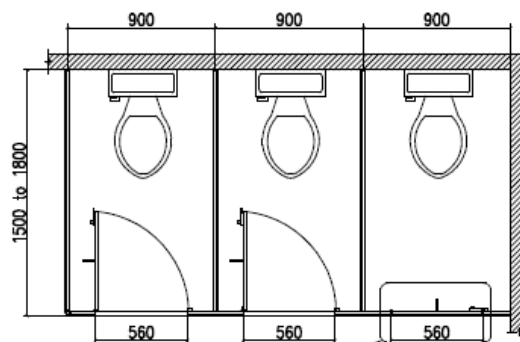
DIMENSIONS AND INSTALLATION

Width and depth vary to suit application
Doors: Standard (560mm opening)
 Accessible (760mm minimum opening),
 Sliding doors on request
Standard panel height is 1800mm with 200mm gap to floor



KerMac includes installation within the Auckland region. Alternatively, cubicles can be flat packed and shipped anywhere in the Australasian and Pacific Region with installation instructions included.

CAD DRAWINGS



Larger CAD Drawings available on www.kermac.co.nz in PDF, DWG and DXF formats