

K-FREESTANDING

The K-Freestanding system is one of KerMac's high end systems which requires no head-rail. It is available in 13mm compact laminate and 18mm Structural Board/Melteca laminate. There is also an option for 30mm front panels in Structural Board/Melteca laminate. It is only available in buildings that have concrete slab floors as it needs to be securely fastened to the floor with the KerMac rod system. This system offers peak performance in style and usability.



LAMINATE TO CHOOSE FROM:

HIGH PRESSURE LAMINATES

Laminex
Laminex Structural Board
Formica

LOW PRESSURE LAMINATES

Melteca
Melamine

COMPACT LAMINATES

KerMac Compact
Laminex Compact

APPLICATIONS

Low moisture/dry areas
High humidity (Compact only)
High end offices
Commercial

FEATURES

Stainless steel wrapped pedestal
Anodised Aluminium channels
Stainless Steel locks, coat hooks and fastenings
Rise and fall hinges



STANDARD MATERIALS

18mm/30mm thick MDF laminated board
13mm Compact laminate
Non-standard facing panels made to order
For high humidity areas Compact available
Edge-banded laminated board

Optional Accessories:

Toilet roll holders
Grab Rails
Pull Handles
Shower seats and brackets
Paper towel dispenser
Waste receptacles
Powder coated aluminium trim

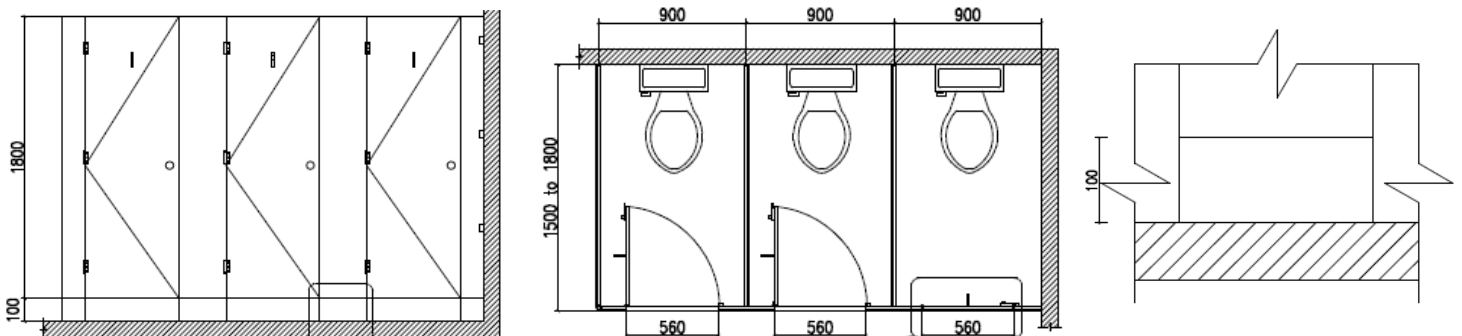
DIMENSIONS AND INSTALLATION

Width and depth vary to suit application
Doors: Standard (560mm opening)
 Accessible (760mm minimum opening),
 Sliding doors on request
Standard panel height is 1800mm on 100 -
200mm Stainless steel surrounds

KerMac includes installation within the Auckland region. Alternatively, cubicles can be flat packed and shipped anywhere in the Australasian and Pacific Region with installation instructions included.



CAD DRAWINGS



Larger CAD Drawings available on www.kermac.co.nz in PDF, DWG and DXF formats